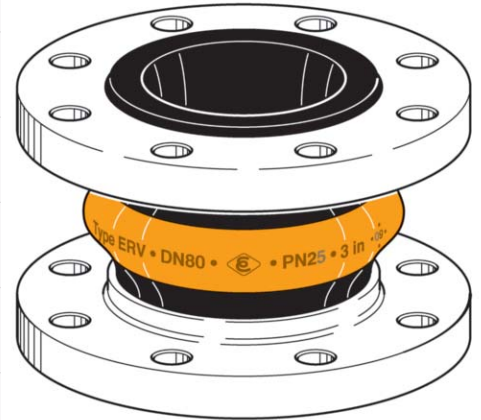




Section 1	Weight ≈ kg	Effect. Area Q [cm <sup>2</sup> ]	Size DN		Press bar	Flanges <sup>1)</sup> Measurements [mm]			Length mm BL	Part <sup>1)</sup> Number Type
			in.	mm		D	k Ø	l x Ø		
	2,0	15	1"	25	25	115	85	4 x 14	130	ERV-OR 25.25 <sup>2)</sup>
	3,0	15	1 1/4"	32		140	100	4 x 18		ERV-OR 32.25
	3,5	20	1 1/2"	40		150	110			ERV-OR 40.25
	5,0	30	2"	50		165	125	8 x 18		ERV-OR 50.25
	6,0	50	2 1/2"	65		185	145			ERV-OR 65.25
	7,5	85	3"	80		200	160			ERV-OR 80.25
	10,0	125	4"	100		235	190	8 x 22		ERV-OR 100.25

### Type ERV-OR



**ORANGE BAND** expansion joints for Liquid Petroleum Gas (LPG) according to EN 589. For tank trucks and refuelling stations. Temperature range (depending on medium) -20°C up to +90°C, temporarily up to 100°C. Electrically conductive.

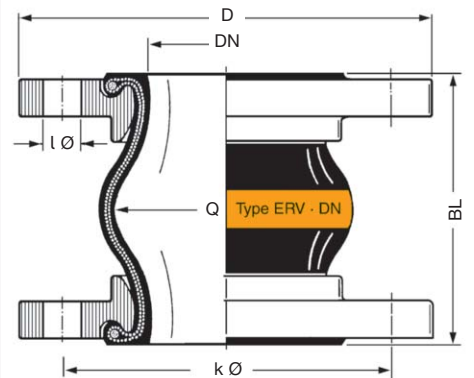
Liner : NBR (nitrile), seamless

Reinforcement : PA textile cord

Cover : Chloroprene CR, pricked

Marking : Orange band, ERV DN ..., PN 25, production date


Flanges <sup>1)</sup> : Swiveling, DIN 2635/PN 40 carbon steel, zinc plated



1) Examples. - Other flange standards and materials see catalogue pages 1-31/3.

2) For rubber expansion joints DN 25 bellows DN 32 are used.

## Range of Movement Type ERV-OR

ERV-OR		Allowable static range of movement in service with usage of collar flanges up to 50° C					
Length	Bellow Size	Installation Length		axial		lateral	angular
BL [mm]	DN [mm]	EL min. [mm]	EL max. [mm]	L min. [mm]	L max. [mm]	I [mm]	
130	25 - 100	120	135	100	160	± 30	± 30

### Permissible Vacuum [mbar]

DN	32	40	50	65	80	100	125	150	200	250	300	350	400	500	600	700	800	900	1000
without VSD / VSR	max.	max.	max.	max.	max.	max.													
with VSD			max.	max.	max.	max.													

Data measured at room temperature with new expansion joints and non swelling media. For swelling media use a safety factor. A compressed installation improves the in the table listed vacuum resistance. The maximum permissible elongation (L max.) reduces the vacuum resistance by 50%. For this case we recommend to use vacuum support spirals or vacuum support rings (see catalogue page 1-36).

Dependencies of overpressure, range of movement and temperature please see table on catalogue page 1-6.

### Approvals

This certificate for type ERV-OR can be downloaded from [www.flexej.co.uk](http://www.flexej.co.uk)



Overview of all certificates on catalogue page 1-2