

## Elaflex Black Band / ERV-CR

### Specification

For cold and warm water, swimming pool water, sea water, waste water (weakly sour or alkaline) also oil containing, cooling water with protective oils against corrosion, lubricating oil, grease and air, compressed air.

**Not suitable for** drinking water, acids, alkalis, chemicals, heating oil, diesel, gasoline and jet fuel, petroleum, solvents, other hydrocarbons and hot compressed air.

### Materials

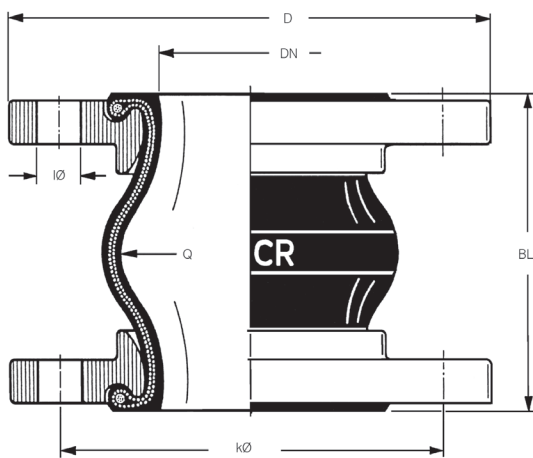
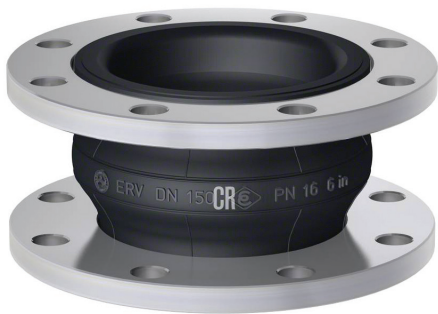
- Liner Chloroprene CR, seamless, abrasion resistant
- Reinforcement PA textile cord
- Cover Chloroprene CR
- Marking White imprint 'CR', ERV DN ..., PN ..., production date
- Flanges\* Swivelling, DIN PN 10/16 carbon steel, zinc plated

### Operating conditions

Temperature range (depending on medium)  
-25°C up to +90°C, temporarily up to +100°C.  
Electrically non-conductive.

### Notes

- \* Table shows PN10/16 flanges – many other flange types are available
  - \* For rubber expansion joints DN 25 bellows DN 32 are used
- Specifications subject to change without notice © ELAFLEX



### Product by FlexEJ Ltd

For technical assistance & sales  
t: +44 (0)1384 881188  
e: sales@flexej.co.uk

Bellow size DN		Length BL	PN	Weight approx.	Effect. area	Flange measurements mm *			Part number *
in.	mm					D	kØ	l x Ø	
1"	25	130	16	1.5	15	115	85	4 x 14	ERV-CR 25.16 *
1 1/4"	32	130	16	3.4	15	140	100	4 x 18	ERV-CR 32.16
1 1/2"	40	130	16	4.0	20	150	110	4 x 18	ERV-CR 40.16
2"	50	130	16	4.6	30	165	125	4 x 18	ERV-CR 50.16
2 1/2"	65	130	16	5.3	50	185	145	4 x 18	ERV-CR 65.16
3"	80	130	16	6.9	85	200	160	8 x 18	ERV-CR 80.16
4"	100	130	16	8.0	125	220	180	8 x 18	ERV-CR 100.16
5"	125	130	16	9.9	185	250	210	8 x 18	ERV-CR 125.16
6"	150	130	16	12.3	250	285	240	8 x 22	ERV-CR 150.16
8"	200	130	16	16.5	400	340	295	8 x 22	ERV-CR 200.10
10"	250	130	16	21.6	600	395	350	12 x 22	ERV-CR 250.10
12"	300	130	16	29.3	800	445	400	12 x 22	ERV-CR 300.10
14"	350	200	16	43.0	1000	505	460	16 x 22	ERV-CR 350.10
16"	400	200	16	46.0	1375	565	515	16 x 26	ERV-CR 400.10
18"	450	200	10	50.0	1780	615	565	20 x 26	ERV-CR 450.10
18"	450	250	10	53.0	1780	615	565	20 x 26	ERV-CR 450x250.10
20"	500	200	10	57.0	2185	670	620	20 x 26	ERV-CR 500.10
24"	600	200	10	70.0	3080	780	725	20 x 30	ERV-CR 600.10
28"	700	260	10	117.0	4800	895	840	24 x 30	ERV-CR 700.10
32"	800	250	10	129.5	5440	1015	950	24 x 33	ERV-CR 800.10
36"	900	300	10	184.0	7100	1115	1050	28 x 33	ERV-CR 900.10
40"	1000	300	10	245.0	8700	1230	1160	28 x 36	ERV-CR 1000.10

# Elaflex Black Band / ERV-CR

## Range of movement

Length		Bellow size	Installation length		Axial *		Lateral *	Angular *
BL	DN	EL min.	EL max.	L min.	L max.	l	degree	
mm	mm	mm	mm	mm	mm	mm	degree	
130	25-80	120	135	100	150	±30	±30	
130	100-150	120	135	100	150	±30	±20	
130	200	115	140	105	160	±30	±10	
130	250-300	125	140	120	160	±15	± 5	
200	350-600	190	210	160	235	±30	± 8	
250	450	240	260	210	285	±35	±10	
250	800	240	260	210	285	±35	± 5	
260	700	250	270	220	290	±30	± 5	
300	900-1000	290	310	260	340	±40	± 5	

\* Allowable static range of movement in service with usage of collar flanges up to 50°C  
Please note: Data not valid for *combined* movements

## Permissible vacuum [mbar]

DN	32	40	50	65	80	100	125	150	200	250	300	350	400	450	500	600	700	800	900	1000
Without VSD/VSR	max.	max.	max.	-700	-600	-400	-300	-300	-300	-200	-100									
With VSD			max.	max.	max.	max.	max.	max.	-600	-400	-200									
With VSR								max.	max.	max.	max.	max.	max.	-700	-700	-700				
With VSRV														max.	max.	max.	max.	-700	-700	-700

Data measured at room temperature with new expansion joints of standard length and non swelling media. For swelling media use a safety factor. A compressed installation improves the table listed vacuum resistance. The maximum permissible elongation (L max.) reduces the vacuum resistance by 50%.

In this case we recommend using vacuum support spirals or vacuum support rings (see page 41).

For dependencies of overpressure, range of movement and temperature please see table on page 8.

## Approvals

These certificates can be obtained from sales@flexej.co.uk  
There is an overview of all certificates on page 47

